



COMMITMENT IS THE DIFFERENCE

DVS & DVK VALVES

technical

tel +27 11 974 2425
fax +27 11 974 2443
web www.europair-africa.com
email: info@europair.co.za

Europair Africa (Pty) Ltd
(a div. of First Strut)

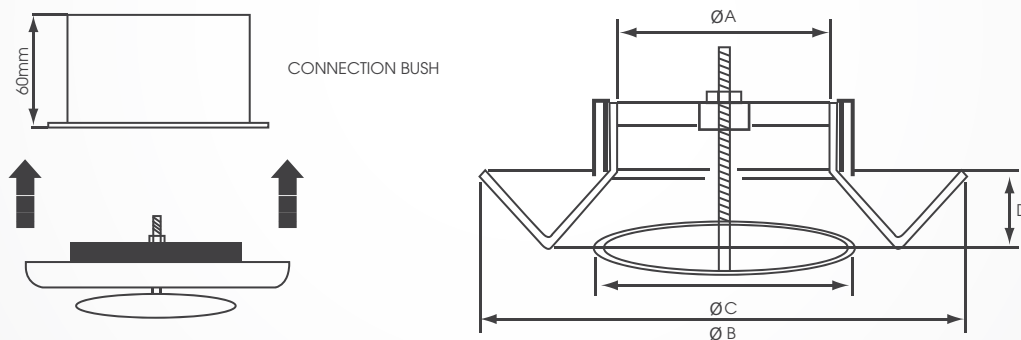
Cnr. Grader and Vuurslag
Spartan Ext. 3
Kempton Park
Johannesburg

PLASTIC EXHAUST

PLASTIC AIR VALVE WITH CONNECTION BUSH.

PRODUCT PROPERTIES

- * Diameter range 100, 125, 150 and 200 mm
- * Manufactured from white polypropylene (RAL 9003) with a heat resistance up to 100 degrees celsius
- * Suitable for rooms with a high air humidity (e.g. kitchen and bathroom)
- * Easy to remove for cleaning purposes
- * Air quantity can be adjusted continuously



DIMENSIONS (IN MILLIMETRES)

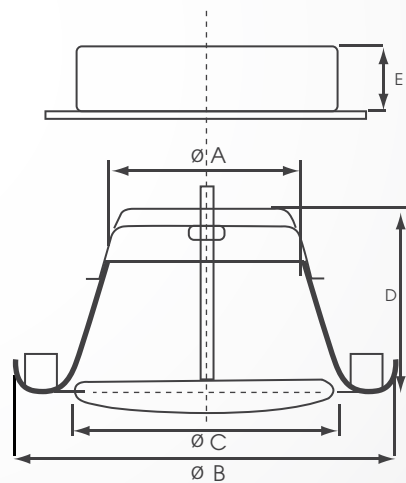
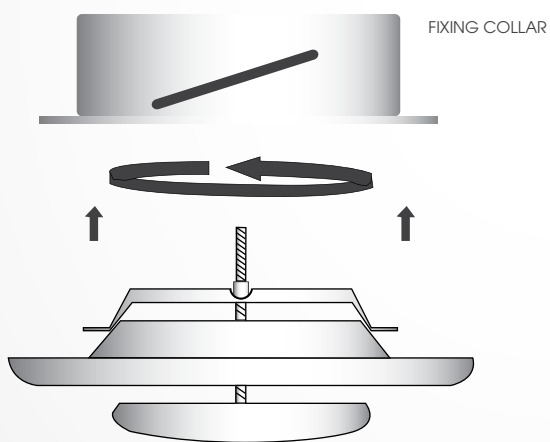
DVK	Ø100	Ø125	Ø150	Ø200
A	80	100	118	171
B	148	168	186	240
C	87	106	130	178
D	20	20	20	20

METAL EXHAUST

METAL EXHAUST AIR VALVE WITH FIXING COLLAR.

PRODUCT PROPERTIES

- * Diameter range 100, 125, 150 and 200 mm
- * Manufactured from powder coated steel
- * Standard colour white (RAL 9010)
- * Air quantity can be adjusted continuously
- * The combination of fixing collar with bayonet catch and sealing tape provides an optimal sealing
- * A fixing collar is included



DIMENSIONS (IN MILLIMETRES)

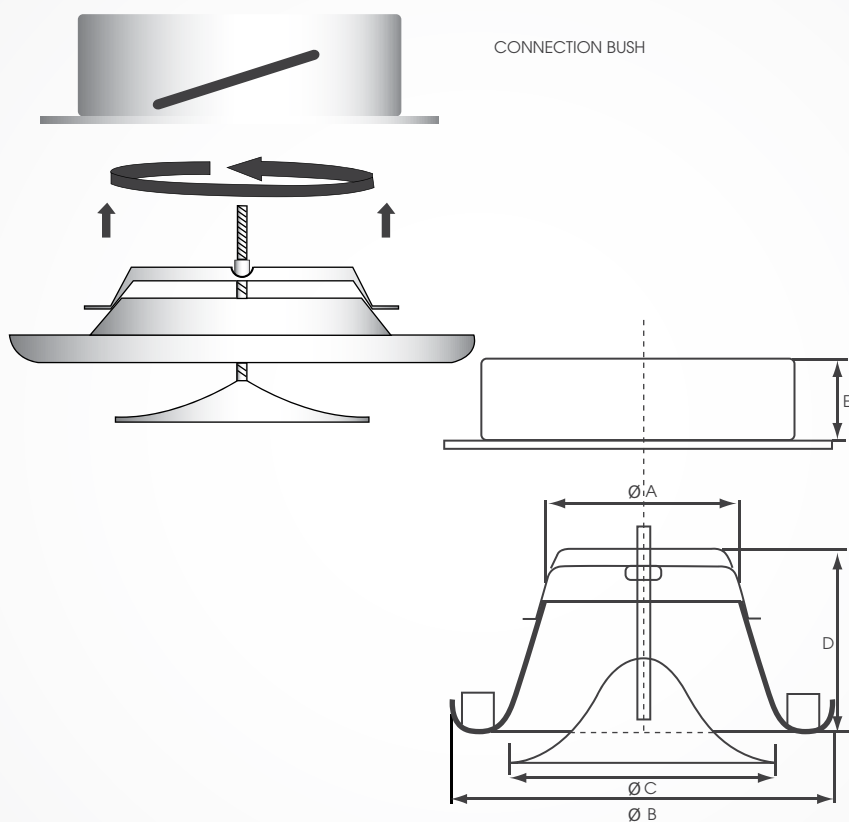
DVS	Ø 100	Ø 150	Ø 200
A	74	174	155
B	139	202	248
C	94	135	194
D	47	60	63
E	50	50	50

METAL EXHAUST

METAL SUPPLY AIR VALVE WITH FIXING COLLAR.

PRODUCT PROPERTIES

- * Diameter range 100, 150 and 200 mm
- * Manufactured from powder coated steel
- * Standard colour white (RAL 9010)
- * With adjustable, centric, rotating valve for regulation of the air quantity.
- * Optimal sealing is achieved by the sealing ring
- * A connection bush is included



DIMENSIONS (IN MILLIMETRES)

DVS - P	Ø100	Ø150	Ø200
A	74	117	155
B	139	202	248
C	94	135	194
D	47	60	63
E	50	50	50