

**EUROPAIR** 

CONTROL THE AIR YOU BREATHE

## **WEATHER LOUVRES**

technical

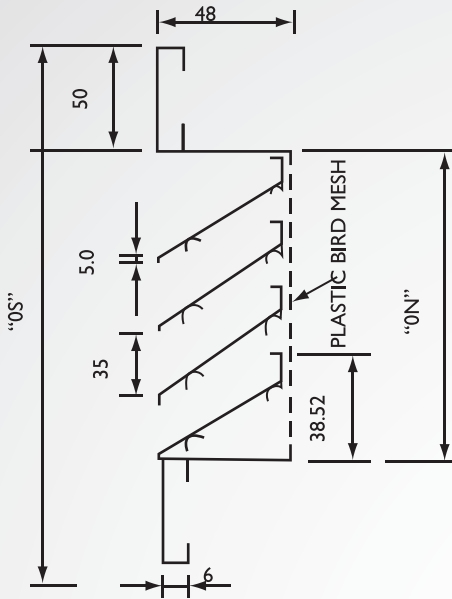
types **-WL**

**Europair Africa**

a division of Performancair Products Africa (Pty) Ltd

tel +27 11 974 2425  
fax +27 11 974 7251  
web [www.europair-africa.com](http://www.europair-africa.com)  
email: [info@europair-africa.com](mailto:info@europair-africa.com)

Cnr. Grader and Vuurslag  
Spartan Ext. 3  
Kempton Park  
Johannesburg



## TYPE WPL

Weather Louvre manufactured of extruded Type 50S anodising grade aluminium. The fixed horizontal blades are held in place by screws. Blades are spaced 35mm apart.

Standard Spacing	=	Top Blade fits flush with frame. Lip of Bottom Blade overlap frame.
Accessories	<b>WM</b>	Wire Mesh
	<b>OBD</b>	Opposed Blade Damper
		NOTE: Adjustment from face of Louvre is not advisable.
	<b>PC</b>	Punched Counter Sunk Holes
	<b>FS</b>	Rear Fixing Straps

Dimensions Notes

- ON** = Normal Duct Size
- 1) Alternative Meshes available on request.
  - 2) For Weather Louvres smaller than 450 x 300 we recommend the use of Type RA with RARB Blade with 19mm spacing.

## TYPE WPL: WEATHER LOUVRE

Vermin Protection: - Plastic Bird mesh - Standard  
- Galvanised wire mesh

Frame Options **50mm** Standard  
**30mm**

Finish Options **NA** = Natural Anodised  
**BEC** = Baked Enamel Colour  
**EPC** = Epoxy Powder Coating

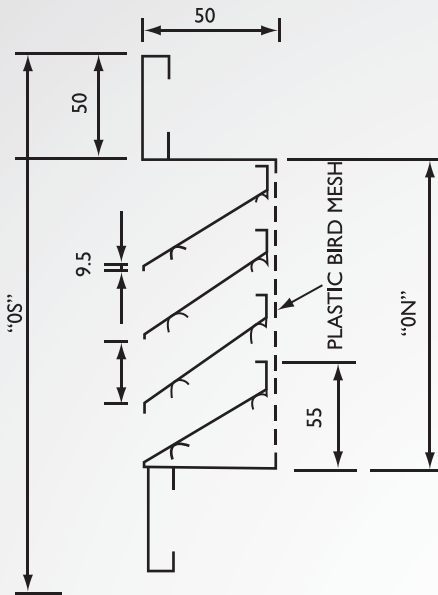
## Ordering Procedure: Example

REF	QTY	SIZE (LxH)	TYPE	ACCESS	FRAME	FINISH	SPECIAL INSTRUCTIONS
1	12	1000 x 850	WPL	-	50	NA	ON - F.S.

- Note: (1) Dimensions given are for opening size into which grille will fit  
(2) If Code "OS" is entered under SPECIAL INSTRUCTIONS, then dimensions given are over flange.

# WEATHER LOUVRES 03

Type - WPL



## TYPE WL

Weather Louvre manufactured of extruded Type 50S anodising grade aluminium. The fixed horizontal blades are held in place by screws. Blades are spaced 50mm apart.

Standard Spacing	=	Top Blade fits flush with frame. Lip of Bottom Blade overlap frame.
Accessories	<b>WM</b>	= Wire Mesh
	<b>OBD</b>	= Opposed Blade Damper
		NOTE: Adjustment from face of Louvre is not advisable.
	<b>PC</b>	= Punched Counter Sunk Holes
	<b>FS</b>	= Rear Fixing Straps
Dimensions	<b>ON</b>	= Normal Duct Size
Notes		<p>1) Alternative Meshes available on request.</p> <p>2) For Weather Louvres smaller than 450 x 300 we recommend the use of Type RA with RARB Blade with 19mm spacing.</p>

## TYPE WL: WEATHER LOUVRE

Vermin Protection: - Plastic Bird mesh - Standard  
- Galvanised wire mesh

Finish Options	<b>NA</b>	=	Natural Anodised
	<b>BEC</b>	=	Baked Enamel Colour
	<b>EPC</b>	=	Epoxy Powder Coating

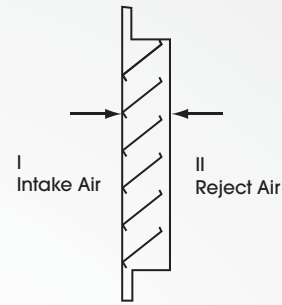
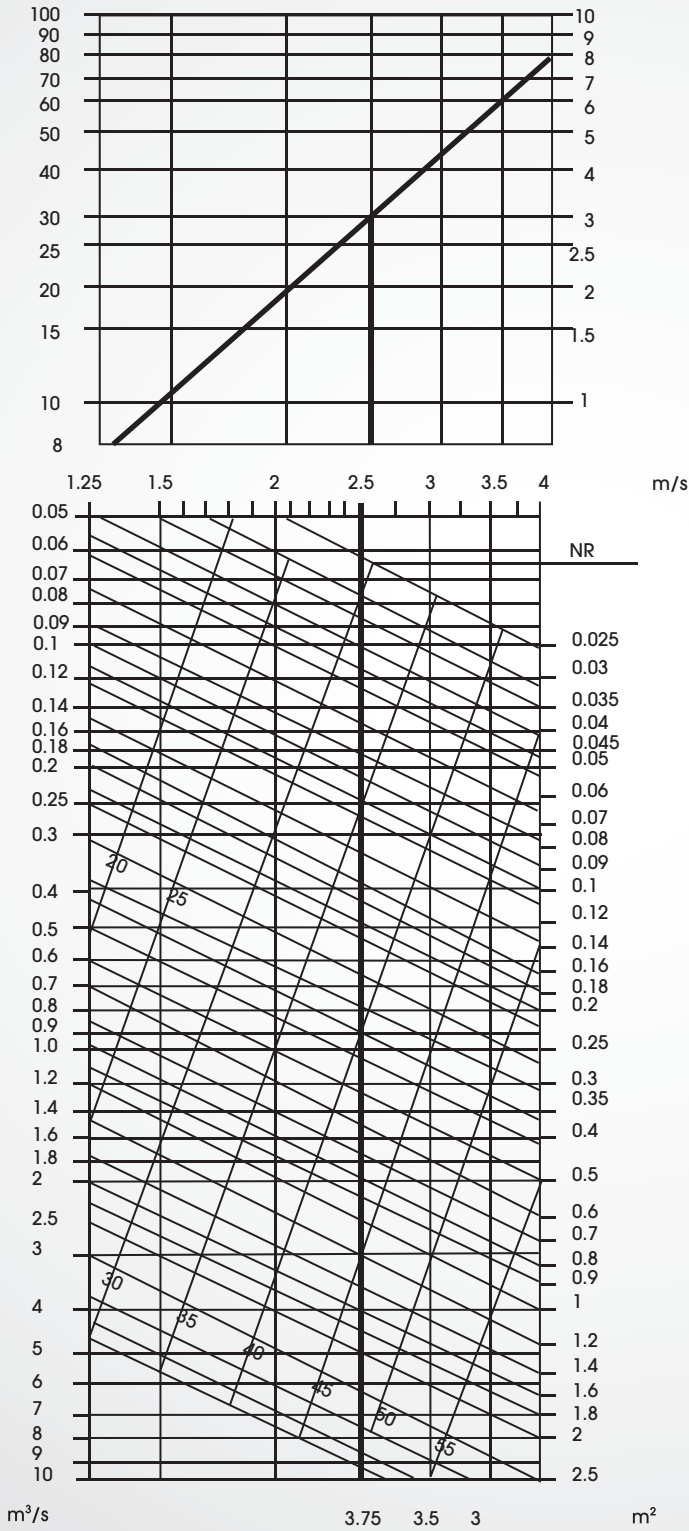
## Ordering Procedure: Example

REF	QTY	SIZE (LxH)	TYPE	ACCESS	FRAME	FINISH	SPECIAL INSTRUCTIONS
1	12	1000 x 850	WL	-	50	NA	F.S.

Note: (1) Dimensions given are for ON size  
(2) If Code "OS" is entered under SPECIAL INSTRUCTIONS, then dimensions given are over flange

# WEATHER LOUVRES 04

Type - WL



### EXAMPLE

<b>VOLUME:</b>	<b>0.4 m³/s</b>
<b>VELOCITY:</b>	<b>2.5 m/s</b>
<b>RESULT:</b>	<b>0.16m²</b>
<b>OR</b>	<b>400mm x 400mm</b>
<b>NR:</b>	<b>35</b>
<b>PRESSURE LOSS:</b>	<b>30 PA</b>