

**EUROPAIR** 

CONTROL THE AIR YOU BREATHE

## **VOLUME CONTROL DAMPERS**

technical

**Europair Africa**

a division of Performancair Products Africa (Pty) Ltd

tel +27 11 974 2425  
fax +27 11 974 2443  
web [www.europair-africa.com](http://www.europair-africa.com)  
email: [info@europair-africa.com](mailto:info@europair-africa.com)

Cnr. Grader and Vuurslag  
Spartan Ext. 3  
Kempton Park  
Johannesburg

## DMP

### CONSTRUCTION

FRAME	Manufactured from 1,6mm galvanised mild steel assembled with galvanised bolts, nuts and washers.
BLADES	Profiled extruded aluminium.
GEARS	Tough, abrasion resistant polyamide.
SHAFTS	Drive shaft 12.7mm dia.

### FINISH

Blades are supplied in mill finish as standard. Anodised blades can be supplied on request. Dampers can also be finished in electrostatically applied epoxy powder on request.

### SPECIAL FEATURES

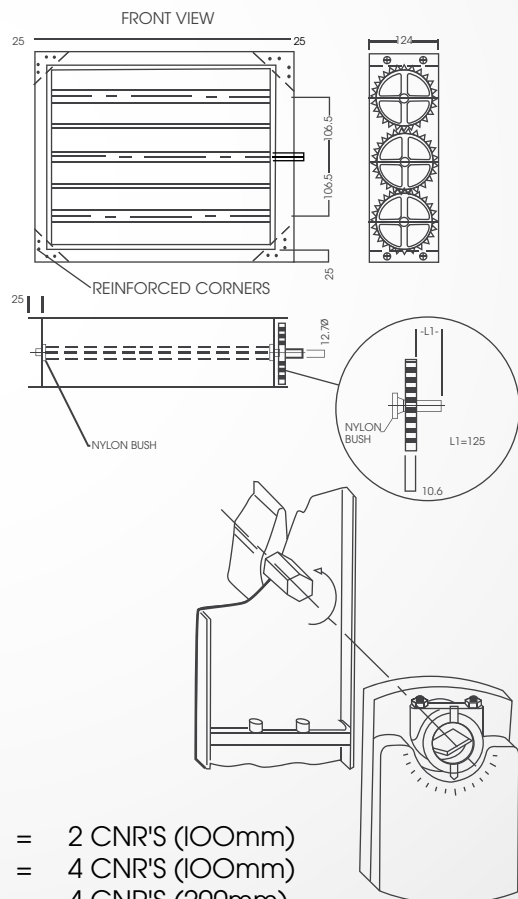
1. For applications requiring improved close-off, side seals can be fitted to minimise leakage.
2. Each damper is supplied with a drive shaft suitable for motor drive or manual quadrant operation.

### MOTOR DRIVE

A full range of actuator motors are available in house.

### ADVANTAGES

Low resistance profiled blades, external gear drive, robust construction, precision injection moulded UV protected polyamide, maintenance free gears and shafts.



### DIMENSIONS

0- 500mm	= 2 CNR'S (100mm)
501 - 1000mm	= 4 CNR'S (100mm)
1001 >	= 4 CNR'S (200mm)
CENTRE PILLARS:	WIDTH 0-1200mm- NONE
	1201 > 1 X CENTRE/1200mm
STIFFNER BARS:	HEIGHT 0-1200 - NONE
	1201-1500-1 X BAR
	1501-2000-2 X BAR